



ITEM 450 - 451

三通全径螺纹球阀 "T"孔或"L"孔

3-way full-bore threaded-ends stainless steel ball valve, "T" or "L" port



技术参数：

工作温度：-20°C至 +160°C

工作压力：见温度 - 压力曲线图

流体范围：空气、水、气体、石油和石化产品、腐蚀性介质

阀门头标准：ISO 5211

螺纹标准：UNI/ISO 7/1Rp

注：

密封可选：聚四氟乙烯 + 玻璃纤维

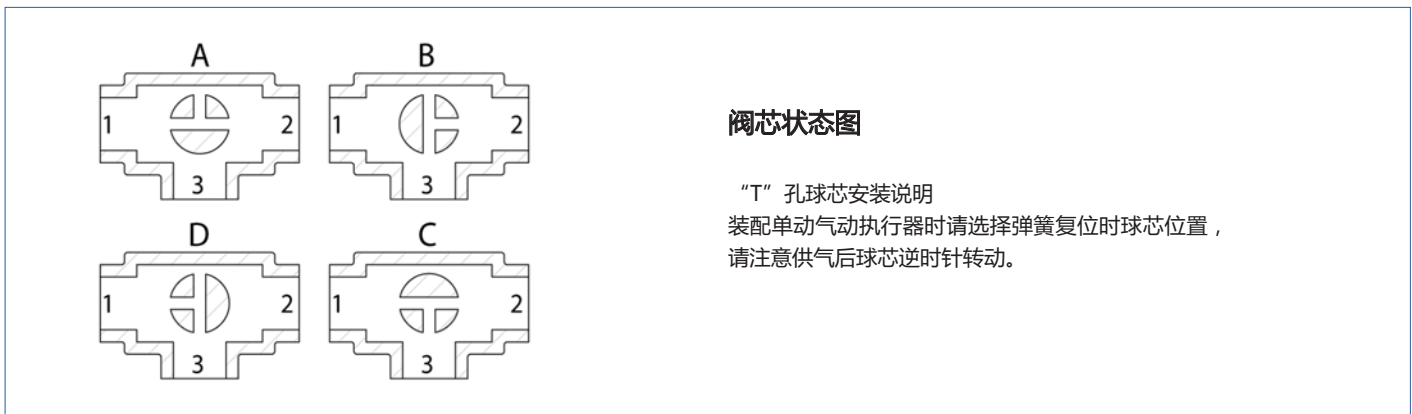
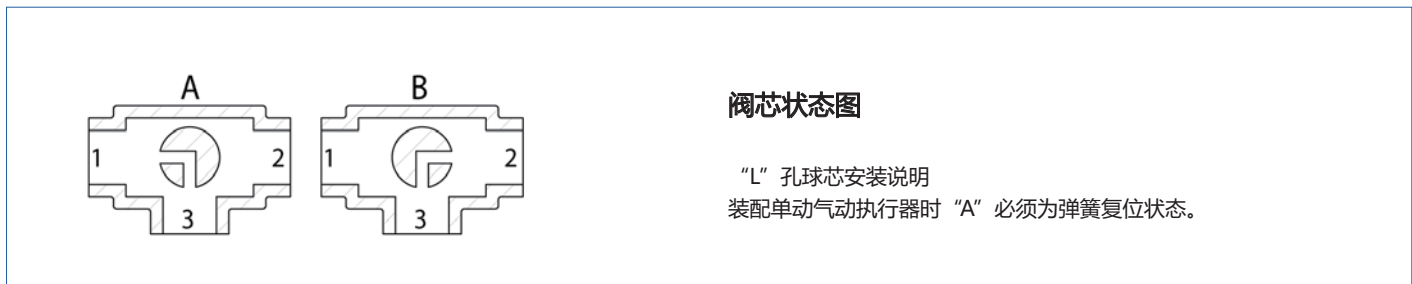
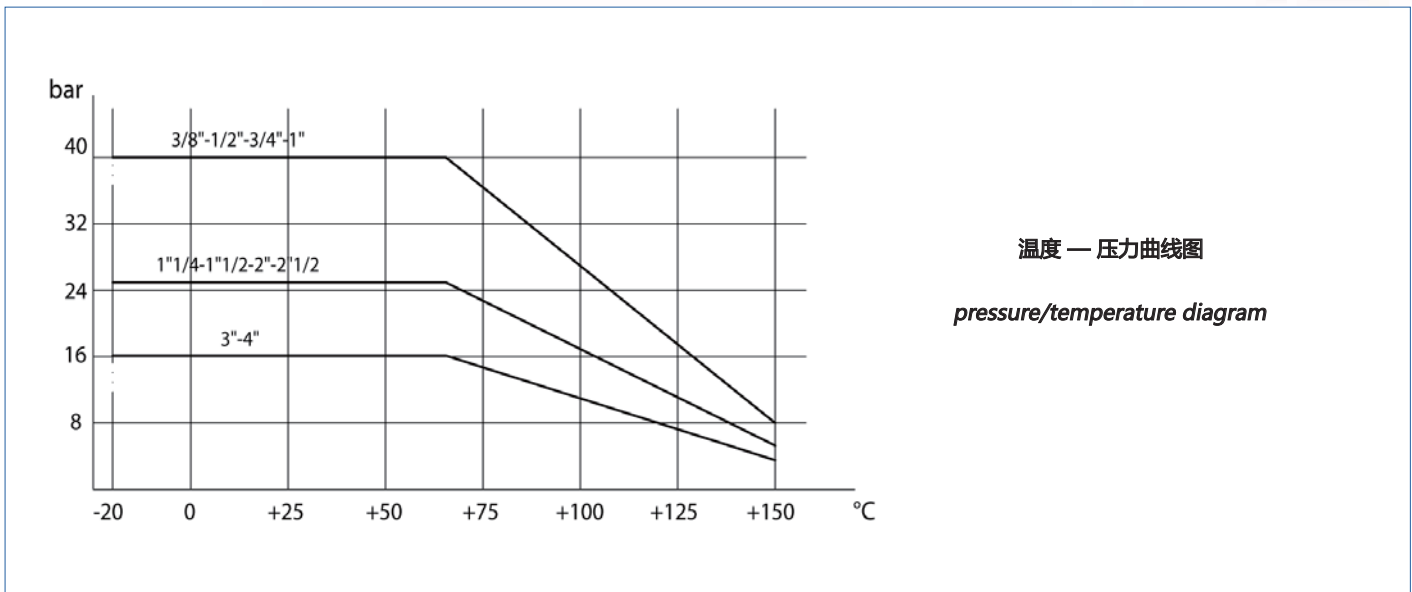
聚四氟乙烯 + 碳石墨

高分子量聚乙烯

单动阀门出厂时按常闭位置安装，如需其他位置，请说明。

认证：

根据 97/23 EC 标准 "PED ATEX" 版本符合 94/9/EC 号指令。



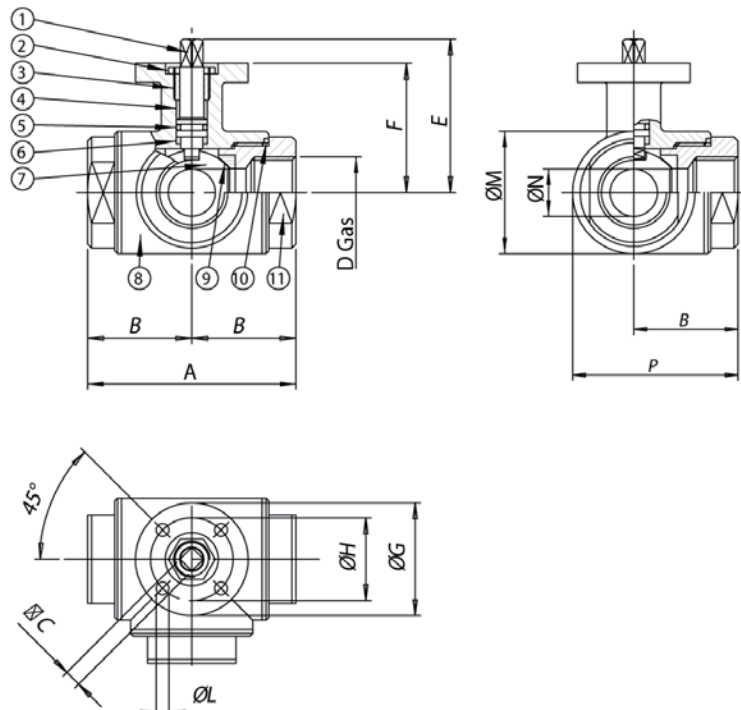
开启扭矩										
口径	DN 10 3/8"	DN 15 1/2"	DN 20 3/4"	DN 25 1"	DN 32 1"1/4"	DN 40 1"1/2"	DN 50 2"	DN 65 2"1/2"	DN 80 3"	DN 100 4"
PN 16 bar									212	304
PN 25 bar							83	142		
PN 40 bar	8	11	16	24	36	54				

扭矩大小跟流体种类和温度相关，1.4 倍安全系数。当操作频率高时扭矩会下降。样本所有图标都是基于标准介质。特殊参数介质或特定工艺应用请联系我们的技术部门。



阀体 / 手动阀订货号

尺寸	DN 10 3/8"	DN 15 1/2"	DN 20 3/4"	DN 25 1"	DN 32 1 1/4"	DN 40 1 1/2"	DN 50 2"	DN 65 2 1/2"	DN 80 3"	DN 100 4"
阀体 "T" 孔	V450H403	V450H404	V450H405	V450H406	V450H407	V450H408	V450H409	V450H410	V450H411	V450H412
防爆阀体 "T" 孔	V450H403YX	V450H404YX	V450H405YX	V450H406YX	V450H407YX	V450H408YX	V450H409YX	V450H410YX	V450H411YX	V450H412YX
阀体 "L" 孔	V451H403	V451H404	V451H405	V451H406	V451H407	V451H408	V451H409	V451H410	V451H411	V451H412
防爆阀体 "L" 孔	V451H403YX	V451H404YX	V451H405YX	V451H406YX	V451H407YX	V451H408YX	V451H409YX	V451H410YX	V451H411YX	V451H412YX
重量 Kg.	0.97	1.29	2.06	2.67	4.63	6.97	8.73	10.52	21.4	34
手动阀 "T" 孔	L450H403	L450H404	L450H405	L450H406	L450H407	L450H408	L450H409	L450H410	L450H411	L450H412
防爆手动阀 "T" 孔	L450H403YX	L450H404YX	L450H405YX	L450H406YX	L450H407YX	L450H408YX	L450H409YX	L450H410YX	L450H411YX	L450H412YX
手动阀 "L" 孔	L451H403	L451H404	L451H405	L451H406	L451H407	L451H408	L451H409	L451H410	L451H411	L451H412
防爆手动阀 "L" 孔	L451H403YX	L451H404YX	L451H405YX	L451H406YX	L451H407YX	L451H408YX	L451H409YX	L451H410YX	L451H411YX	L451H412YX
重量 Kg.	1.02	1.34	2.16	2.77	4.78	7.12	8.93	10.72	21.7	34.5
开启扭矩	KGBV4503	KGBV4504	KGBV4505	KGBV4506	KGBV4507	KGBV4508	KGBV4509	KGBV4510	KGBV4511	KGBV4512



材质表

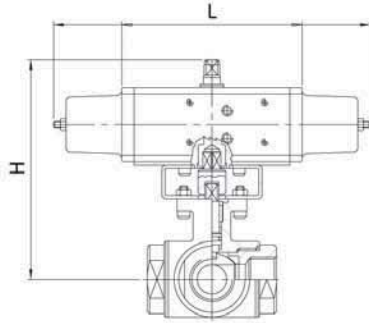
1 轴	不锈钢 316	1.4401	UNI X5CrNiMo 17 12
2 螺母	不锈钢 304	1.4301	UNI X5CrNi 18 10
3 压紧环形螺母	不锈钢 304	1.4301	UNI X5CrNi 18 10
4 上部压紧环	聚四氟乙烯		
5 轴 O 型圈	氟橡胶		
6 垫圈	聚四氟乙烯		
7 球芯	不锈钢 316	1.4401	UNI X5CrNiMo 17 12
8 阀体	不锈钢 316	1.4408	
9 密封圈	聚四氟乙烯		
10 端部密封	聚四氟乙烯		
11 端部	不锈钢 316	1.4408	

尺寸表

口径	A	B	øC	D	E	F	øG	øH	øL	øM	øN	P
DN 10 3/8"	72	36	6	3/8"	54.5	46.5	46	36	6	45	12	58.5
DN 15 1/2"	82	41	6	1/2"	57	49	46	36	6	52	15	67
DN 20 3/4"	92	46	9	3/4"	69.5	56.5	65	50	7	60	20	76
DN 25 1"	102	51	9	1"	74	61	65	50	7	70	25	86
DN 32 1 1/4"	118	59	14	1 1/4"	94.5	81.5	65	50	7	85	32	101.5
DN 40 1 1/2"	134	67	14	1 1/2"	102	89	65	50	7	100	40	117
DN 50 2"	144	72	17	2"	106.5	91.5	90	70	9	110	50	127
DN 65 2 1/2"	160	80	17	2 1/2"	116.5	101.5	90	70	9	122	65	141
DN 80 3"	200	100	17	3"	134	116	125	102	11	150	80	175
DN 100 4"	240	120	17	4"	149	131	125	102	11	192	100	216

450 - 451 型自控球阀

AUTOMATED VALVE TYPE 450 - 451

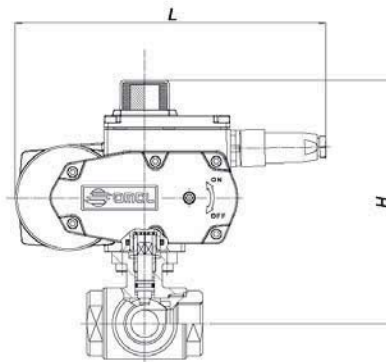


双作用型								
订货号	执行器	安装支架	DN mm	英寸	L mm	H mm	重量 Kg	同型防爆
D45 *H003	DA015401S	KCF032613	10	3/8"	114	118.5	1.65	D45 *H003YX
D45 *H004	DA015401S	KCF032613	15	1/2"	114	121	1.94	D45 *H004YX
D45 *H005	DA030401S	KCF032616	20	3/4"	130	166.5	3.12	D45 *H005YX
D45 *H006	DA045402S	KCF042618	25	1"	144	147	4	D45 *H006YX
D45 *H007	DA060402S	KCF042619	32	1 1/4"	152	200	6.21	D45 *H007YX
D45 *H008	DA090401S	KCF052620	40	1 1/2"	169	186.5	8.8	D45 *H008YX
D45 *H009	DA120401S	KCF052622	50	2"	184	235.5	11.9	D45 *H009YX
D45 *H010	DA240401S	KCF072623	65	2 1/2"	242	235.5	14.9	D45 *H010YX
D45 *A011	DA360401S	KCF102625	80	3"	264	264	27.4	D45 *A011YX
D45 *H012	DA480401S	KCF102625	100	4"	295	291.1	40.5	D45 *H012YX

单作用弹簧复位型								
订货号	执行器	安装支架	DN mm	英寸	L mm	H mm	重量 Kg	同型防爆
S45 *H003	SR015401S	KCF032613	10	3/8"	221	126.5	2.22	S45 *H003YX
S45 *H004	SR015401S	KCF032613	15	1/2"	221	129	2.5	S45 *H004YX
S45 *H005	SR030402S	KCF042618	20	3/4"	240	146.5	3.81	S45 *H005YX
S45 *H006	SR045401S	KCF052621	25	1"	294	158.5	5.2	S45 *H006YX
S45 *H007	SR060401S	KCF052620	32	1 1/4"	320	195.5	4.87	S45 *H007YX
S45 *H008	SR090401S	KCF072629	40	1 1/2"	357	215	11.6	S45 *H008YX
S45 *H009	SR120401S	KCF072623	50	2"	372	225.5	14.4	S45 *H009YX
S45 *H010	SR240401S	KCF102624	65	2 1/2"	460	289.5	20.1	S45 *H010YX
S45 *A011	SR360401S	KCF122626	80	3"	566	334	38	S45 *H011YX
S45 *H012	SR480401S	KCF122627	100	4"	609	354	52.68	S45 *H012YX

*=0: "T" 孔 450 型 *=1: "L" 孔 451 型

以上尺寸的气动执行器最小气源输入压力为 5.6bar
The sizing of pneumatic actuators has been done considering a minimum supply pressure of 5,6 barg.



电动执行器采用 230V 电压

Items are with electric actuator 230 Vac

ATEX 版本不能用于电动执行器

ATEX version not available for electrical actuator

电动开关型							
订货号	电动头	安装支架	DN mm	英寸	L mm	H mm	重量 Kg
C45 *A5E03	EA0035A5C000	KCF052005	10	3/8"	250	183.5	4.6
C45 *A5E04	EA0035A5C000	KCF052005	15	1/2"	250	186	4.9
C45 *A5E05	EA0035A5C000	KCF052621	20	3/4"	250	193.5	5.7
C45 *A5G06	EA0070A5C000	KCF052621	25	1"	250	198	6.3
C45 *A5G07	EA0070A5C000	KCF052620	32	1 1/4"	250	218.5	8.2
C45 *A5I08	EA0130A5C000	KCF072629	40	1 1/2"	280	246.5	14.5
C45 *A5I09	EA0130A5C000	KCF072623	50	2"	280	249	16.2
C45 *A5K10	EA0240A5C000	KCF102624	65	2 1/2"	280	259	18
E45 *16N11	AE160040	KCE361987	80	3"	256.5	301	29.2
E45 *16R12	AE160060	KCE561985	100	4"	381	365	52.6

电动调节型							
订货号	电动头	安装支架	DN mm	英寸	L mm	H mm	重量 Kg
M45 *16C03	AM160002	KCF052005	10	3/8"	165.8	165.5	3.7
M45 *16C04	AM160002	KCF052005	15	1/2"	165.5	168.5	4
M45 *16F05	AM160005	KCE282631	20	3/4"	207.5	207.5	7.2
M45 *16F06	AM160005	KCE282631	25	1"	207.5	207.5	7.9
M45 *16L07	AM160020	KCE362082	32	1 1/4"	256.5	256.5	14.4
M45 *16L08	AM160020	KCE362082	40	1 1/2"	256.5	256.5	16.7
M45 *16L09	AM160020	KCE362092	50	2"	256.5	256.5	18
M45 *16L10	AM160020	KCE362092	65	2 1/2"	256.5	256.5	19.4
M45 *16P11	AM160050	KCE561985	80	3"	381	381	44
M45 *16P12	AM160050	KCE561985	100	4"	381	381	55.9

不锈钢球阀