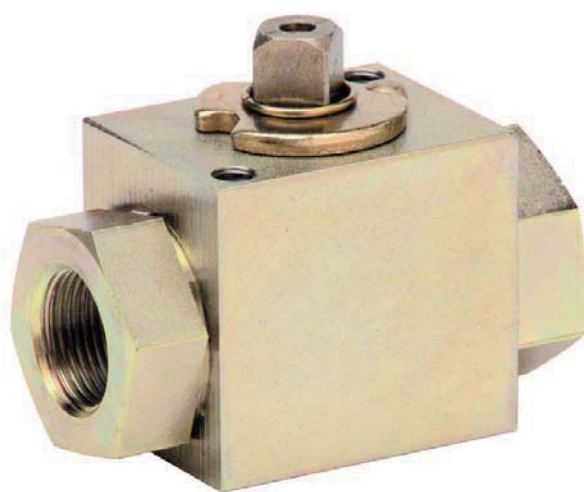




ITEM 526

二通螺纹高压球阀

2-way full-bore threaded-ends high pressure carbon steel ball valve



碳
钢
球
阀

技术参数：

螺纹标准：DIN/ISO 228

工作温度：-10°C至 +100°C

工作压力：3/8" PN500; 1/2 PN420; 3/4"-2" PN315 (见温度 - 压力曲线图)

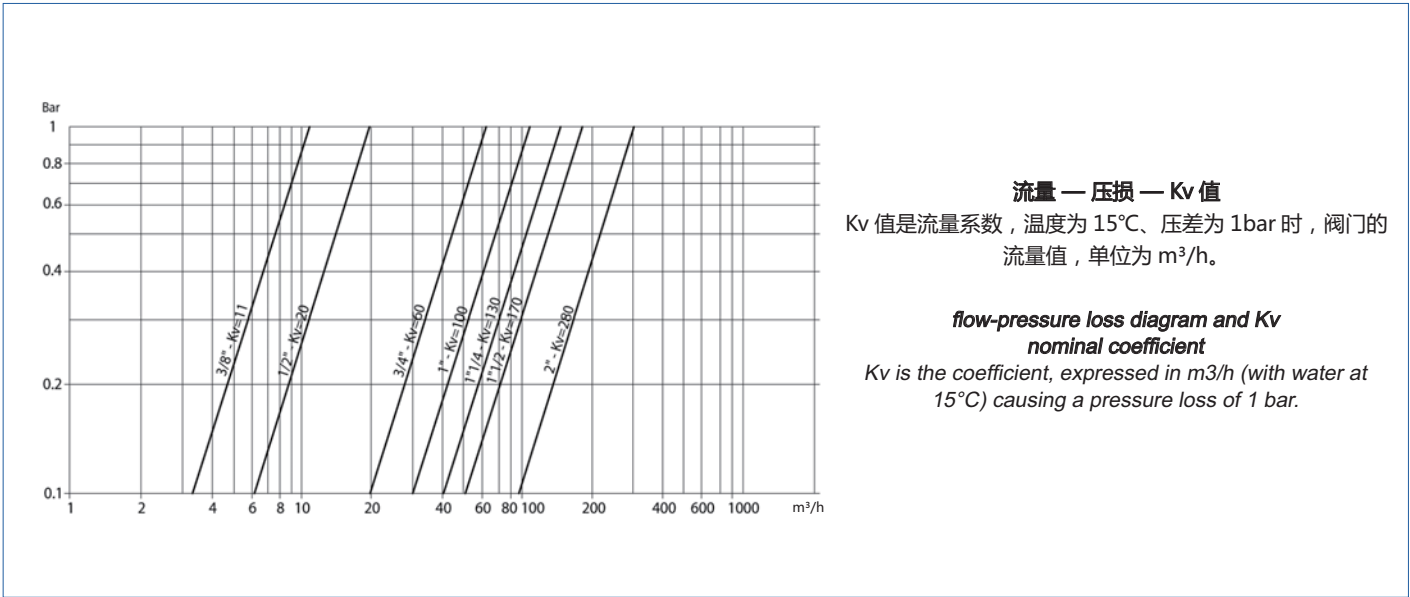
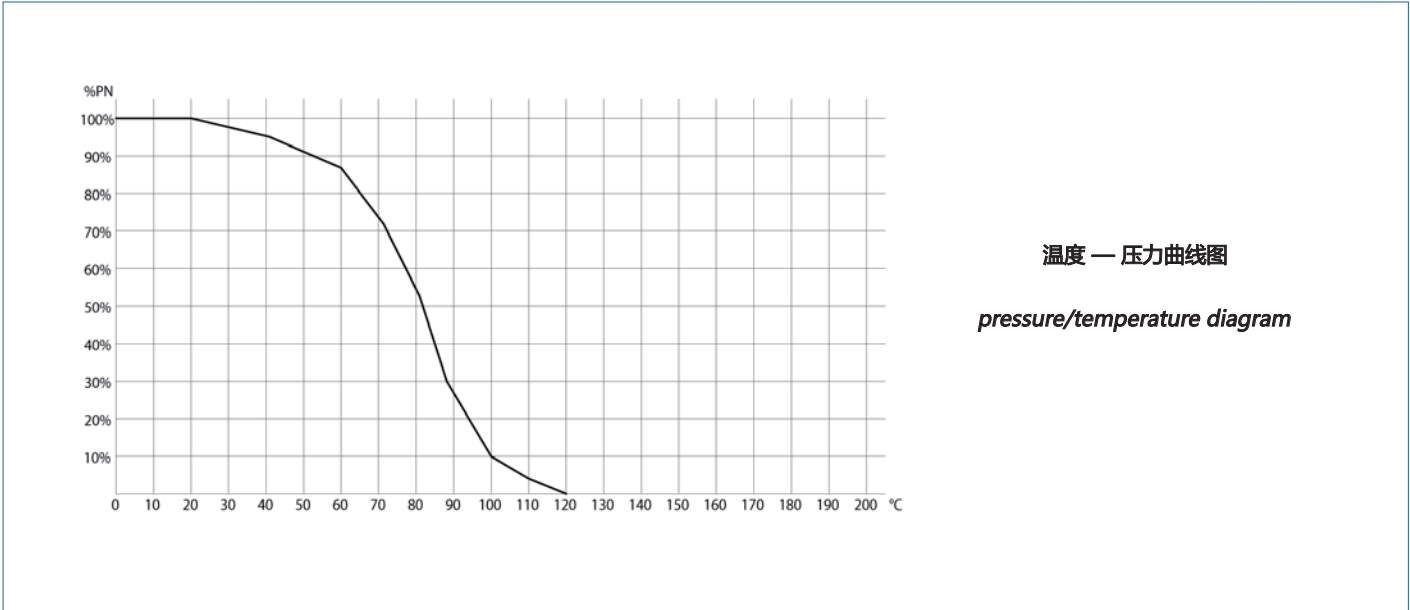
流体范围：天然气、油、石化和石油产品

注：

单动阀门出厂时按常闭位置安装，如需其他位置，请说明。

认证：

根据 97/23 EC 标准 "PED ATEX" 版本符合 94/9/EC 号指令。



| 开启扭矩 | | | | | | | |
|------------|---------------|---------------|---------------|-------------|-----------------|-----------------|-------------|
| 口径 | DN 10 3/8" | DN 13 1/2" | DN 20 3/4" | DN 25 1" | DN 32 1 1/4" | DN 40 1 1/2" | DN 50 2" |
| PN 315 bar | | | 34 | 37 | 66 | 75 | 135 |
| PN 420 bar | | 18 | | | | | |
| PN 500 bar | 15 | | | | | | |

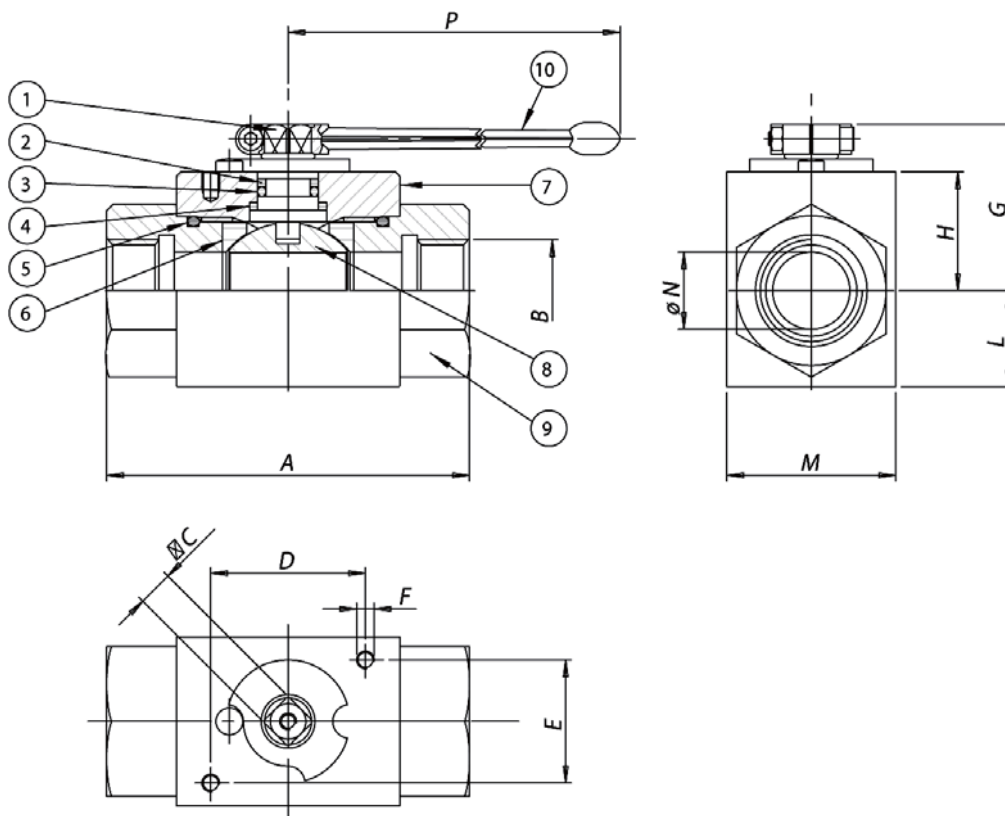
扭矩大小跟流体种类和温度相关，1.4 倍安全系数。当操作频率高时扭矩会下降。样本所有图标都是基于标准介质。特殊参数介质或特定工艺应用请联系我们技术部门。

碳钢球阀



阀体 / 手动阀订货号

| 尺寸 | DN 10 3/8" | DN 13 1/2" | DN 20 3/4" | DN 25 1" | DN 32 1 1/4" | DN 40 1 1/2" | DN 50 2" |
|--------|---------------|---------------|---------------|-------------|-----------------|-----------------|-------------|
| 阀体 | V526B403 | V526B404 | V526B405 | V526B406 | V526B407 | V526B408 | V526B409 |
| 防爆阀体 | V526B403YX | V526B404YX | V526B405YX | V526B406YX | V526B407YX | V526B408YX | V526B409YX |
| 重量 Kg. | 0.7 | 0.8 | 1.5 | 2.3 | 3.2 | 5.3 | 7.8 |
| 手动阀 | L526B403 | L526B404 | L526B405 | L526B406 | L526B407 | L526B408 | L526B409 |
| 防爆手动阀 | L526B403YX | L526B404YX | L526B405YX | L526B406YX | L526B407YX | L526B408YX | L526B409YX |
| 重量 Kg. | 0.85 | 0.95 | 1.7 | 2.5 | 3.4 | 5.6 | 8.1 |
| 开启扭矩 | KGBV8003 | KGBV8004 | KGBV8005 | KGBV8006 | KGBV8007 | KGBV8008 | KGBV8009 |



碳
钢
球
阀

材质表

| 序号 | 名称 | 材质 | 备注 |
|----|---------|----------|----------|
| 1 | 轴 | 碳钢 | CF9SMn28 |
| 2 | O型圈保护垫圈 | 聚四氟乙烯 | |
| 3 | O型圈 | 氟橡胶 | |
| 4 | 垫圈 | POM+MoS2 | |
| 5 | O型圈 | 丁睛橡胶 | |
| 6 | 球芯密封 | POM+MoS2 | |
| 7 | 阀体 | 碳钢 | CF9SMn28 |
| 8 | 球芯 | 碳钢 镀铬 | CF9SMn28 |
| 9 | 螺纹端 | 碳钢 | CF9SMn28 |
| 10 | 手柄 | 碳钢 | CF9SMn28 |

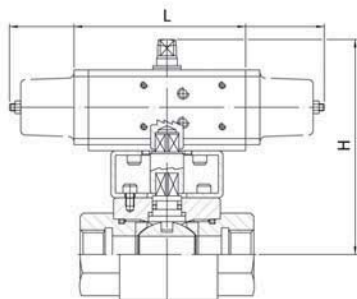
尺寸表

| 口径 | A | B | øC | D | E | F | G | H | L | M | øN | P |
|--------------|-----|--------|----|----|----|----|------|------|------|-----|----|-----|
| DN 10 3/8" | 72 | 3/8" | 9 | 34 | 23 | M6 | 34.3 | 20.5 | 17.5 | 32 | 10 | 115 |
| DN 15 1/2" | 83 | 1/2" | 9 | 34 | 23 | M6 | 35 | 21 | 19 | 35 | 13 | 115 |
| DN 20 3/4" | 95 | 3/4" | 14 | 48 | 36 | M8 | 50.8 | 32.5 | 24.5 | 49 | 20 | 200 |
| DN 25 1" | 113 | 1" | 14 | 48 | 36 | M8 | 53.8 | 35.5 | 29.5 | 58 | 25 | 200 |
| DN 32 1 1/4" | 111 | 1 1/4" | 17 | 0 | 52 | M8 | 66.5 | 45.5 | 40.5 | 81 | 32 | 320 |
| DN 40 1 1/2" | 130 | 1 1/2" | 17 | 0 | 52 | M8 | 74 | 53 | 50 | 100 | 38 | 320 |
| DN 50 2" | 140 | 2" | 17 | 0 | 52 | M8 | 79 | 58 | 59 | 118 | 48 | 320 |



526 型自控球阀

AUTOMATED VALVE TYPE 526

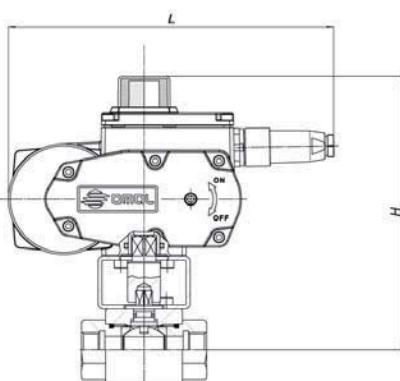


| 双作用型 | | | | | | | | |
|----------|-----------|-----------|-------|--------|------|-------|-------|------------|
| 订货号 | 执行器 | 安装支架 | DN mm | 英寸 | L mm | H mm | 重量 Kg | 同型防爆 |
| D526H003 | DA030401S | KCF031542 | 10 | 3/8" | 130 | 141 | 1.7 | D526H003YX |
| D526H004 | DA030401S | KCF031542 | 13 | 1/2" | 130 | 141.5 | 1.8 | D526H004YX |
| D526H005 | DA060402S | KCF041544 | 20 | 3/4" | 152 | 163 | 3.1 | D526H005YX |
| D526H006 | DA060402S | KCF041544 | 25 | 1" | 152 | 167 | 3.9 | D526H006YX |
| D526H007 | DA120401S | KCF051546 | 32 | 1 1/4" | 184 | 202 | 6 | D526H007YX |
| D526H008 | DA120401S | KCF051546 | 40 | 1 1/2" | 184 | 209.5 | 8.1 | D526H008YX |
| D526H009 | DA240401S | KCF071547 | 50 | 2" | 242 | 234.5 | 13.1 | D526H009YX |

| 单作用弹簧复位型 | | | | | | | | |
|----------|-----------|-----------|-------|--------|------|-------|-------|------------|
| 订货号 | 执行器 | 安装支架 | DN mm | 英寸 | L mm | H mm | 重量 Kg | 同型防爆 |
| S526H003 | SR030402S | KCF041543 | 10 | 3/8" | 240 | 150.5 | 2.7 | S526H003YX |
| S526H004 | SR030402S | KCF041543 | 13 | 1/2" | 240 | 151.5 | 2.8 | S526H004YX |
| S526H005 | SR060401S | KCF051545 | 20 | 3/4" | 320 | 189 | 5.1 | S526H005YX |
| S526H006 | SR060401S | KCF051545 | 25 | 1" | 320 | 192 | 5.8 | S526H006YX |
| S526H007 | SR120401S | KCF071547 | 32 | 1 1/4" | 372 | 222 | 10.1 | S526H007YX |
| S526H008 | SR120401S | KCF071547 | 40 | 1 1/2" | 372 | 229.5 | 12.2 | S526H008YX |
| S526H009 | SR240401S | KCF101548 | 50 | 2" | 460 | 258 | 19.1 | S526H009YX |

以上尺寸的气动执行器最小气源输入压力为 5.6bar
 The sizing of pneumatic actuators has been done considering a minimum supply pressure of 5,6 barg.

碳
钢
球
阀



电动执行器采用 230V 电压

Items are with electric actuator 230 Vac

ATEX 版本不能用于电动执行器

ATEX version not available for electrical actuator

| 电动开关型 | | | | | | | |
|-----------|--------------|-----------|-------|--------|------|-------|-------|
| 订货号 | 电动头 | 安装支架 | DN mm | 英寸 | L mm | H mm | 重量 Kg |
| C526A5E03 | EA0035A5C000 | KCF052202 | 10 | 3/8" | 250 | 197.5 | 4.3 |
| C526A5E04 | EA0035A5C000 | KCF052202 | 13 | 1/2" | 250 | 198 | 4.4 |
| C526A5G05 | EA0070A5C000 | KCF051545 | 20 | 3/4" | 250 | 209.5 | 5.1 |
| C526A5G06 | EA0070A5C000 | KCF051545 | 25 | 1" | 250 | 212.5 | 5.9 |
| C526A5I07 | EA0130A5C000 | KCF071547 | 32 | 1 1/4" | 280 | 243.1 | 10.7 |
| C526A5I08 | EA0130A5C000 | KCF071547 | 40 | 1 1/2" | 280 | 250.6 | 12.8 |
| C526A5K09 | EA0240A5C000 | KCF101548 | 50 | 2" | 280 | 255.6 | 15.3 |

| 电动调节型 | | | | | | | |
|-----------|----------|-----------|-------|--------|-------|-------|-------|
| 订货号 | 电动头 | 安装支架 | DN mm | 英寸 | L mm | H mm | 重量 Kg |
| M52616F03 | AM160005 | KCE282030 | 10 | 3/8" | 207.5 | 224 | 6 |
| M52616F04 | AM160005 | KCE282030 | 13 | 1/2" | 207.5 | 224.5 | 6.1 |
| M52616L05 | AM160020 | KCE362031 | 20 | 3/4" | 256.5 | 257.5 | 11.4 |
| M52616L06 | AM160020 | KCE362031 | 25 | 1" | 256.5 | 260.5 | 12.1 |
| M52616L07 | AM160020 | KCE362029 | 32 | 1 1/4" | 256.5 | 270.5 | 13.4 |
| M52616L08 | AM160020 | KCE362029 | 40 | 1 1/2" | 256.5 | 278 | 15.5 |
| M52616L09 | AM160020 | KCE362029 | 50 | 2" | 256.5 | 283 | 17.9 |